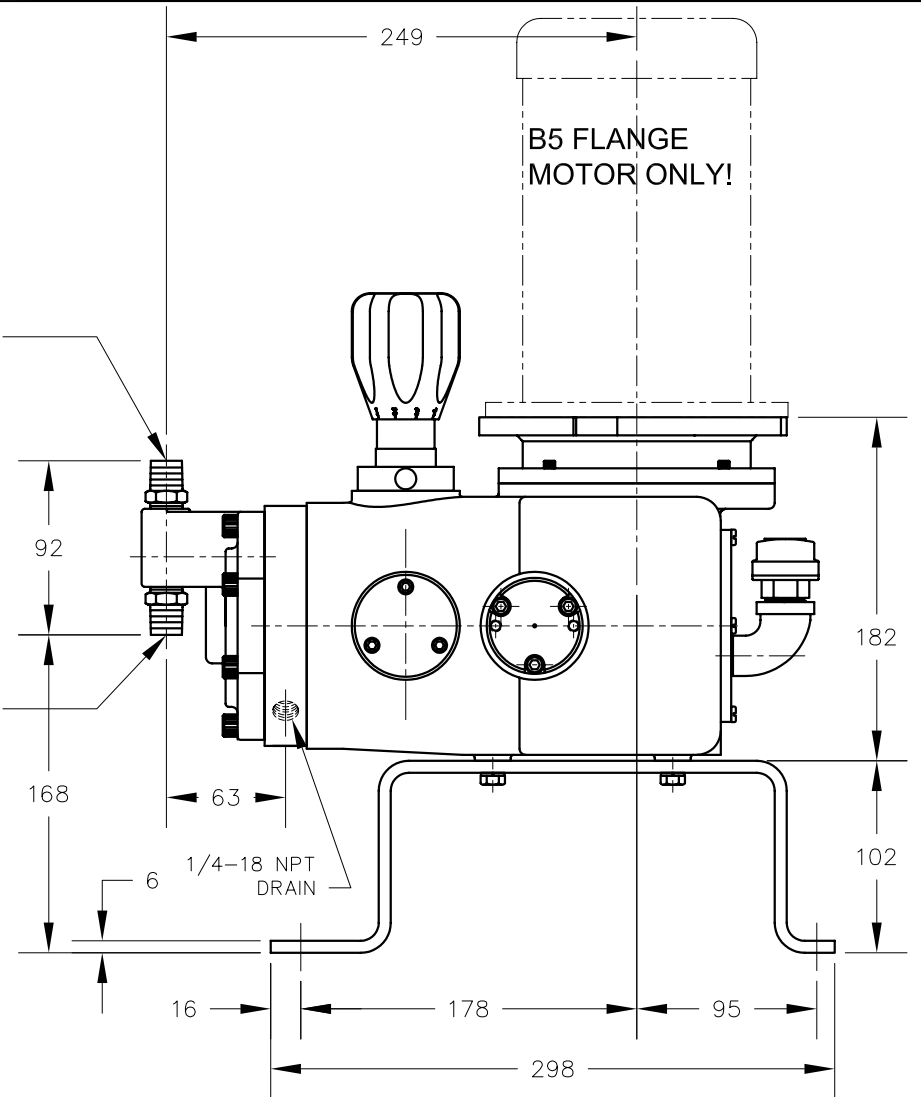


DISCHARGE
3/8-19 BSPT

SUCTION
3/8-19 BSPT



9mm X 15mm SLOT
(FRONT)

(2) 9mm DIA. HOLES
(REAR)

PUMP DATA

MODEL NO.:	
MAX. WORKING PRESS.:	BAR
CAPACITY: (L.P.H.)	
WETTED MATL'S.: HEAD: VALVES: CHECKS:	
DIAPHRAGM: TFE □ 316SS □ 316SS □ 316SS	
O'RING: VITON	

MOTOR DATA

H.P.:	
R.P.M.:	
PHASE:	
VOLTS:	
FREQUENCY:	
ENCLOSURE:	

SPECIAL NOTES:

www.neptune1.com	
Neptune	
CHEMICAL PUMP CO. LANSDALE, PA 19446	
A DOVER COMPANY	
SERIES 7000 "dia" PUMP, METAL HD.	
MOUNTED ON RISER BASE, WITH FALP-D71	
DATE 10/23/08	DWG. NO. 7000-N3-METRIC