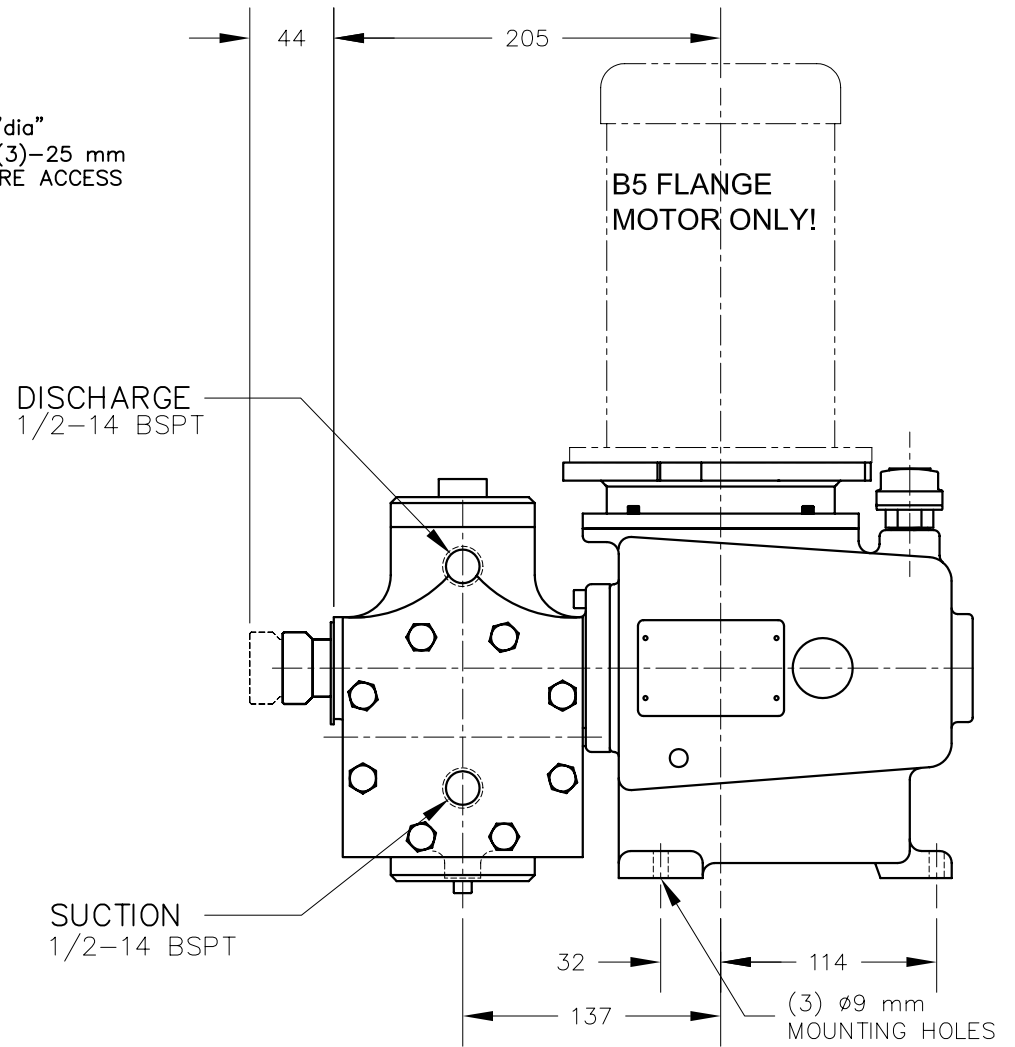


NOTE: ALL SERIES 500 PVC HEAD "dia"
PUMPS ARE SUPPLIED WITH (3)-25 mm
MOUNTING SPACERS TO INSURE ACCESS
TO SUCTION VALVES.



PUMP DATA

MODEL NO.:	
MAX. WORKING PRESS.:	BAR
CAPACITY: (L.P.H.)	
WETTED MATL'S.:	HEAD: PVC
DIAPHRAGM: TFE	VALVES: PVC
O'RING: VITON	CHECKS: GLASS

MOTOR DATA

H.P.:
R.P.M.:
PHASE:
VOLTS:
FREQUENCY:
ENCLOSURE:

SPECIAL NOTES:

www.neptune1.com	
Neptune	
CHEMICAL PUMP CO. LANSDALE, PA 19446	
A DOVER COMPANY	
SERIES 500 SIMPLEX "dia" PUMP PLASTIC HD.	
WITH FALP-D71	
DATE 10/13/08	DWG. NO. 500-S-N5-METRIC