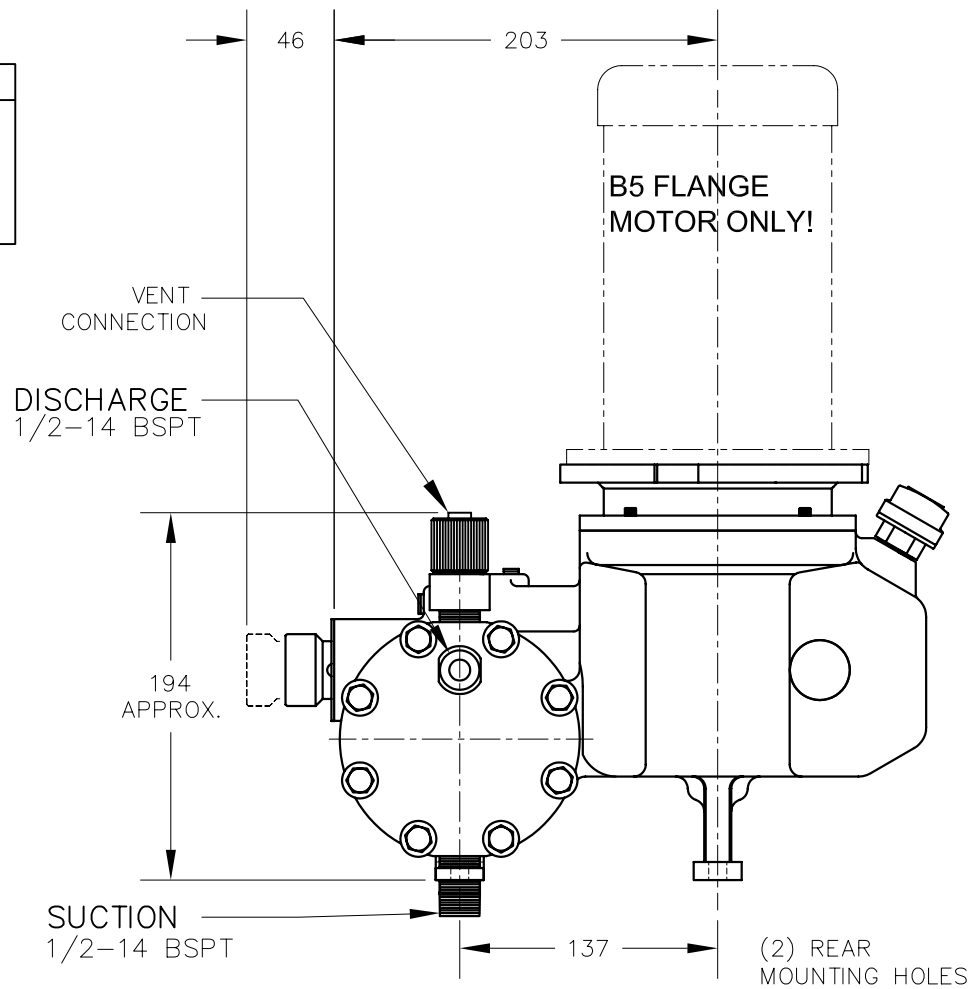


| MODEL | LITER/HR | SPM |
|----------|----------|-----|
| 512-E-AR | 7.6 | 72 |
| 515-E-AR | 11.4 | 117 |
| 517-E-AR | 14 | 144 |
| 525-E-AR | 26.5 | 117 |
| 527-E-AR | 32.6 | 144 |



| PUMP DATA | |
|---------------------------------------|--|
| MODEL NO.: | |
| MAX. WORKING PRESS.: | BAR |
| CAPACITY: (L.P.H.) | |
| WETTED MATL'S.: HEAD: VALVES: CHECKS: | |
| DIAPHRAGM: TFE | <input type="checkbox"/> PVC <input type="checkbox"/> PVC <input type="checkbox"/> CERAMIC |
| | <input type="checkbox"/> KYNAR <input type="checkbox"/> KYNAR <input type="checkbox"/> CERAMIC |

| MOTOR DATA |
|------------|
| H.P.: |
| R.P.M.: |
| PHASE: |
| VOLTS: |
| FREQUENCY: |
| ENCLOSURE: |

SPECIAL NOTES:

www.neptune1.com

Neptune CHEMICAL PUMP CO.
A DOVER COMPANY LANSDALE, PA 19446

SERIES 500-E "dia" PUMP PLASTIC HD.

WITH FALP-D71

| | |
|----------|-----------------|
| DATE | DWG. NO. |
| 10/20/08 | 500-E-AR-METRIC |