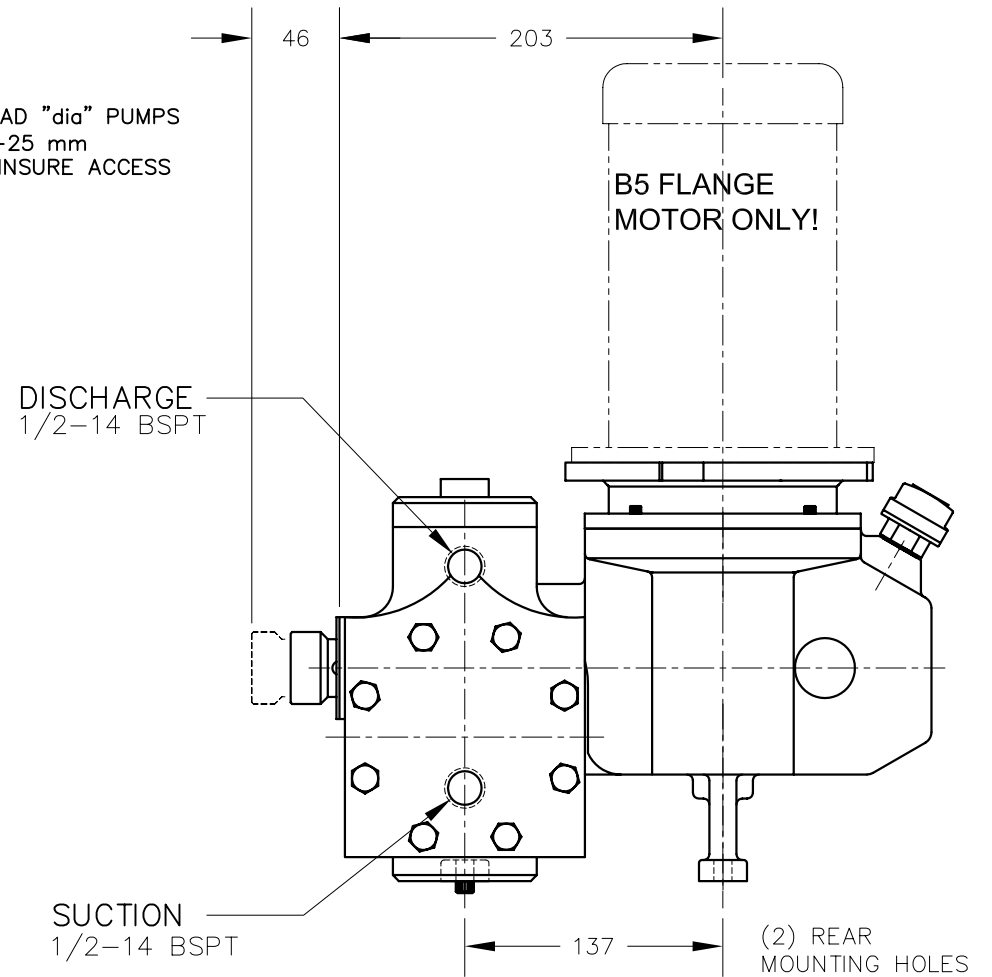


NOTE: ALL SERIES 500 PVC HEAD "dia" PUMPS
ARE SUPPLIED WITH (3)-25 mm
MOUNTING SPACERS TO INSURE ACCESS
TO SUCTION VALVES.



PUMP DATA

MODEL NO.:	
MAX. WORKING PRESS.:	BAR
CAPACITY: (L.P.H.)	
WETTED MATL'S.:	HEAD: PVC
DIAPHRAGM: TFE	VALVES: PVC
O'RING: VITON	CHECKS: GLASS

MOTOR DATA

H.P.:
R.P.M.:
PHASE:
VOLTS:
FREQUENCY:
ENCLOSURE:

SPECIAL NOTES:

www.neptune1.com

Neptune
A DOVER COMPANY

CHEMICAL PUMP CO.
LANSDALE, PA 19446

SERIES 500-A "dia" PUMP, PVC HD.

WITH FALP-D71

DATE
10/21/08

DWG. NO.
500-A-N5-METRIC