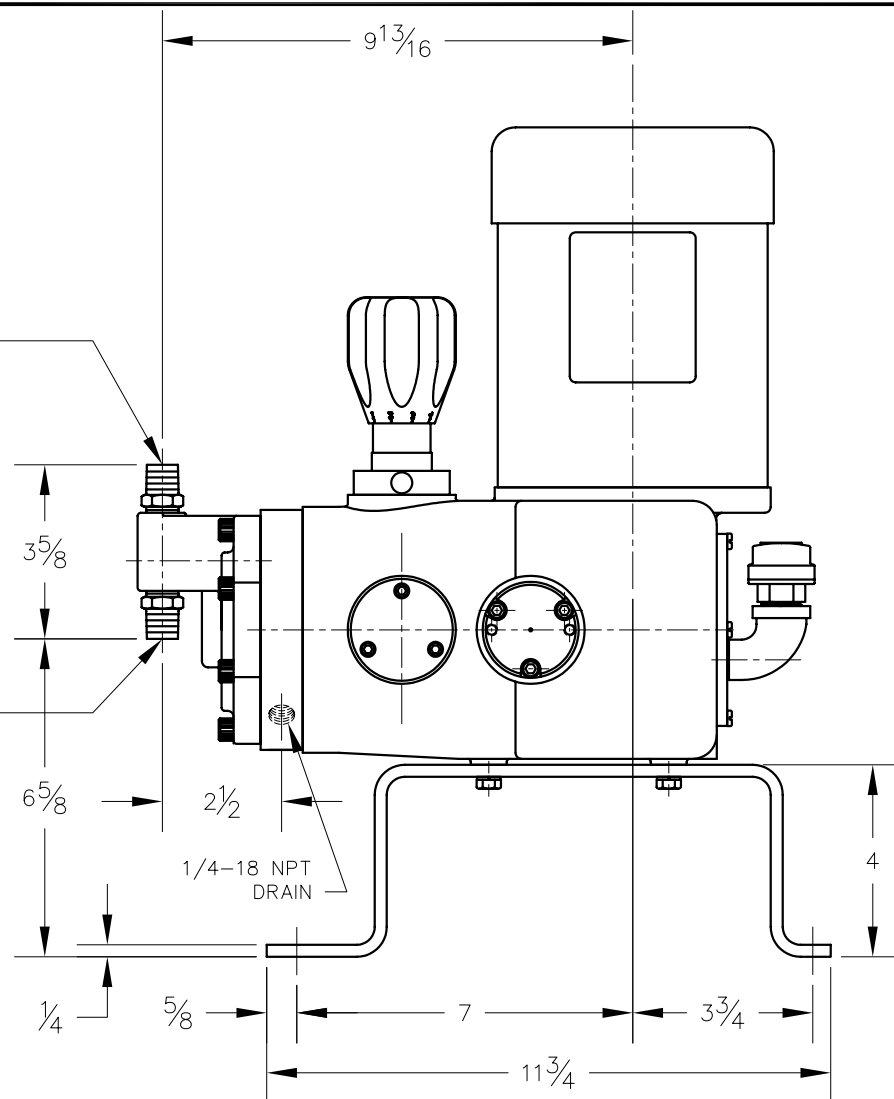


3/8" X 5/8" SLOT  
(FRONT)

(2) 3/8" DIA. HOLES  
(REAR)

DISCHARGE  
3/8-18 NPT

SUCTION  
3/8-19 NPT



**PUMP DATA**

MODEL NO.:

MAX. WORKING PRESS.:                      PSI

CAPACITY: (G.P.H.)

WETTED MATL'S.: HEAD:    VALVES:    CHECKS:

DIAPHRAGM: TFE    □ 316SS    □ 316SS    □ 316SS

O'RING: VITON

**MOTOR DATA**

H.P.:

R.P.M.:

PHASE:

VOLTS:

FREQUENCY:

ENCLOSURE:

**SPECIAL NOTES:**

www.neptune1.com

**Neptune** CHEMICAL PUMP CO.  
A DOVER COMPANY    LANSDALE, PA 19446

SERIES 7000 "dia" PUMP, METAL HD.

MOUNTED ON RISER BASE, WITH STANDARD MOTOR

DATE                      DWG. NO.  
11/10/08                      7000-N3