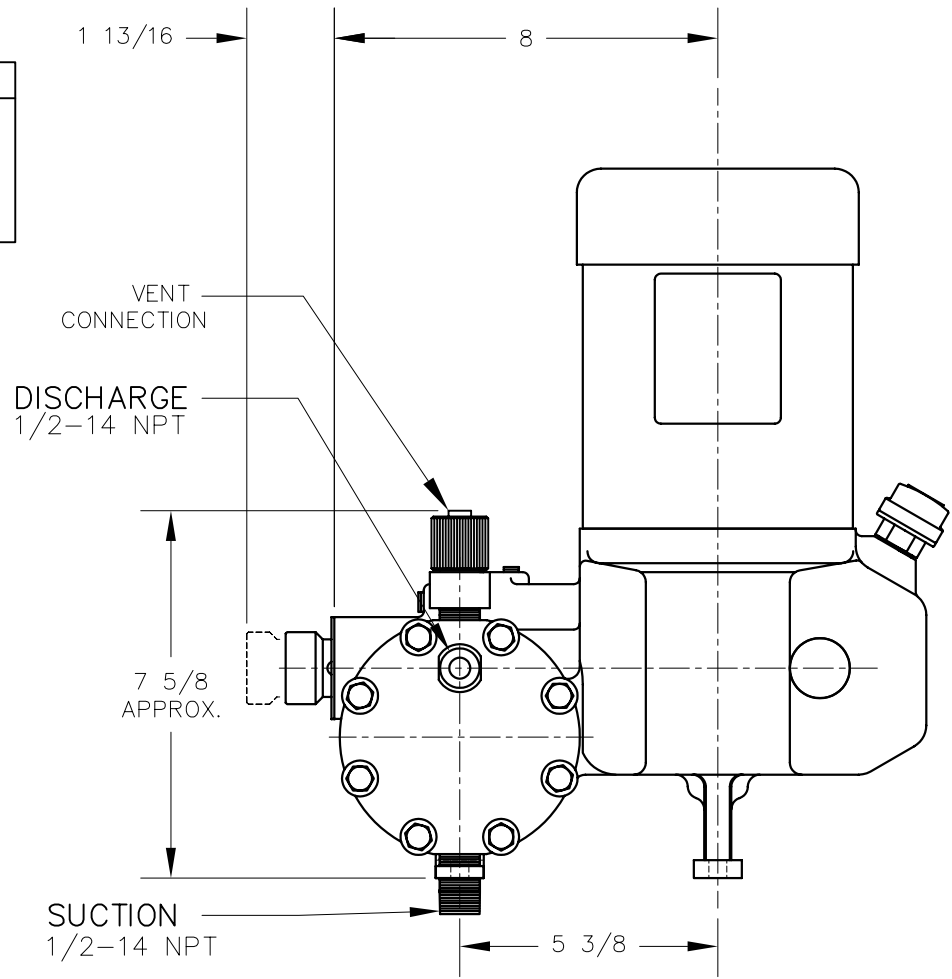
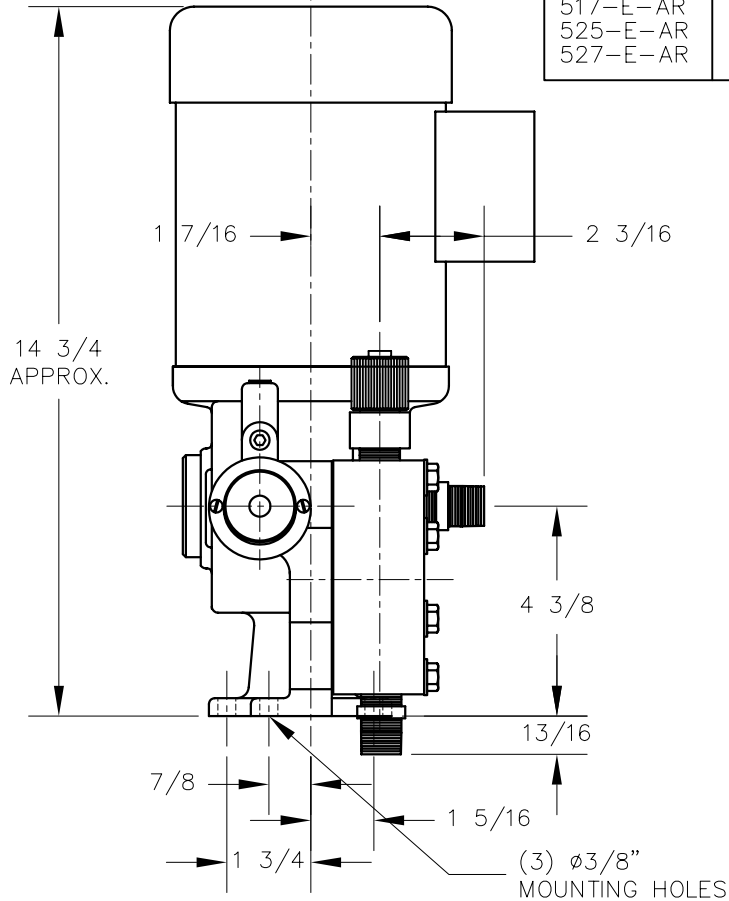


MODEL	LITER/HR	SPM
512-E-AR	7.6	72
515-E-AR	11.4	117
517-E-AR	14	144
525-E-AR	26.5	117
527-E-AR	32.6	144



PUMP DATA	
MODEL NO.:	
MAX. WORKING PRESS.:	PSI
CAPACITY: (G.P.H.)	
WETTED MATL'S.: HEAD: VALVES: CHECKS:	
DIAPHRAGM: TFE <input type="checkbox"/> PVC <input type="checkbox"/> PVC <input type="checkbox"/> CERAMIC	

MOTOR DATA
H.P.:
R.P.M.:
PHASE:
VOLTS:
FREQUENCY:
ENCLOSURE:

SPECIAL NOTES:

[www.neptune1.com](http://www.neptune1.com)

**Neptune** CHEMICAL PUMP CO.  
A DOVER COMPANY LANSDALE, PA 19446

SERIES 500-E "dia" PUMP, PVC HEAD

WITH STANDARD MOTOR

DATE 11/5/08	DWG. NO. <b>500-E-AR</b>
-----------------	-----------------------------